

12
VOLT

GATE OPERATOR **ZIP** 12

For gate leaves up to 3,5 m



650ZIP12

DC electromechanical gate operator. Maximum gate leaf 3,5 m

Features:

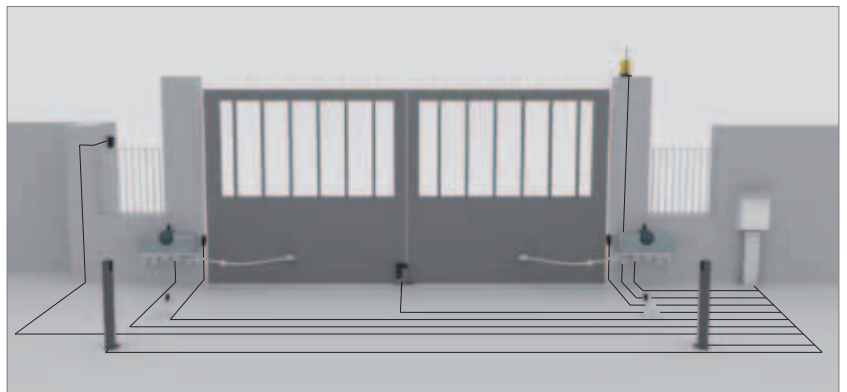
- residential / apartment building use
- for gates leaves up to 3,5 m
- low voltage DC gate operator
- optical encoder technology
- electromechanical motor
- built-in limit switch

Pros:

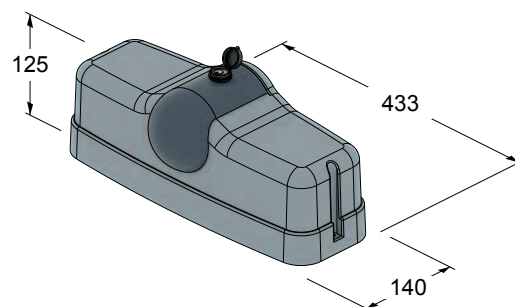
- ideal for big posts
- obstacle detection and crush prevention
- in accordance with EN 12445-12453 standards
- works even during power outage thanks to the optional backup battery
- fast operating speed
- intensive use, ideal for use on apartment buildings and public entrances

Technical features

	ZIP12
Power supply	230 V AC (50 - 60 Hz)
Motor power supply	18 V DC
Absorption	0,8 A
Absorbed power	15 W
Opening time 90°	8 sec.
Duty cycle	100 %
Max. torque	416 Nm
Operating temperature	-20° C ÷ +55° C
Motor thermal protection	-
Degree of protection	IP 44



The above represented installation does not include safety devices such as safety edges. Their addition depends upon the risk assessment made on any installation in accordance with EN 12445-12453 standards.



Accessories



750D749MA
Electronic control unit for one or two DC gate operators with encoder, complete with 433,92 Mhz rolling code radio receiver, battery charger, transformer and enclosure



700BAP
Gate stopper for heavy leaves



200BATT
12 Volt Battery, 7,2 Ah



700BAP1
Gate stopper for light leaves



M-030000CC50
Multicore cable (2 x 2.5 sq.mm + 3 x 0.5 sq.mm)



700BAP2
Gate stopper wall/floor mount



700GS5
Weatherproof cable connector for 5-core 12 V cable



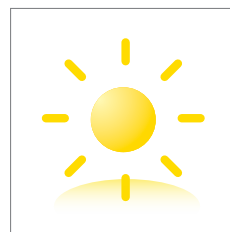
C-TARG
Aluminium CE Mark Label, self adhesive



650ESV1-2
Electric lock (1 = left hand opening – 2 = right hand opening)



*They refer to leaves with openings and not totally closed panels.



Solar power
Thanks to the Photovoltaic (PV) Technology, every low voltage DC gate operator can be solar powered. Discover the advantages of the solar energy at page 126



Further accessories:
Transmitters page 106
Photocells page 112
Flashing lights page 115

Use only M-030000CC50 cable or equivalent

230
VOLT

GATE OPERATOR **ZIP**

For gate leaves up to 3,5 m

650ZIP

230 V electromechanical gate operator. Maximum gate leaf 3,5 m

Features:

- residential use
- for gates leaves up to 2,3 m
- 230 V gate operator
- electromechanical motor

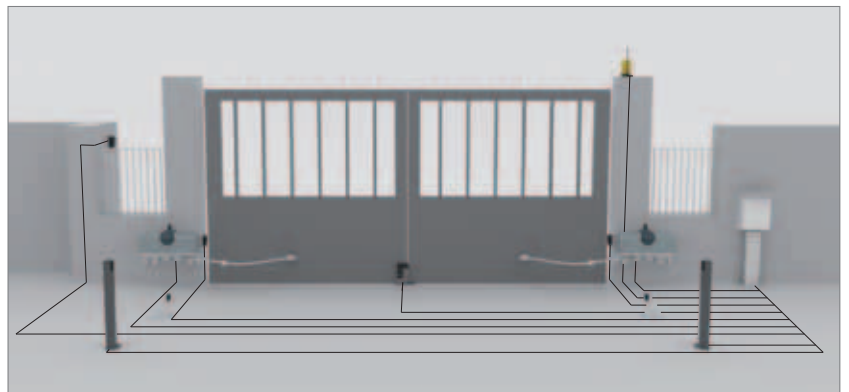
Pros:

- easy and intuitive installation
- ideal for big posts
- high torque and power

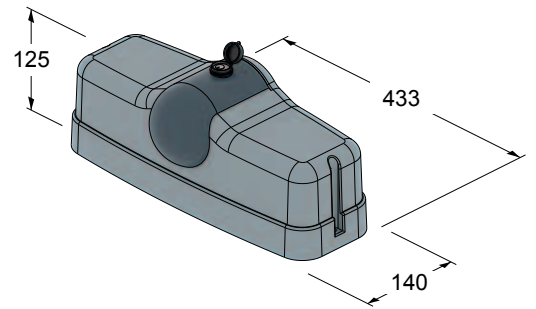


Technical features

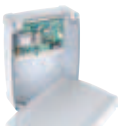
	ZIP
Power supply	230 V AC (50 - 60 Hz)
Motor power supply	230 V AC
Absorption	1 A
Absorbed power	190 W
Opening time 90°	13 sec.
Duty cycle	50 %
Max. torque	334 Nm
Operating temperature	-20° C + +55° C
Motor thermal protection	150° C
Degree of protection	IP 44



The above represented installation does not include safety devices such as safety edges. Their addition depends upon the risk assessment made on any installation in accordance with EN 12445-12453 standards.



Accessories



750D760M
Electronic control unit for one or two 230 V gate operators with soft-stop and built-in 433,92 MHz rolling code radio receiver, complete with enclosure



700BAP
Gate stopper for heavy leaves



750CUP
Control unit enclosure protective lid



700BAP1
Gate stopper for light leaves



700GS3
Weatherproof cable connector for 3-core 230 V cable



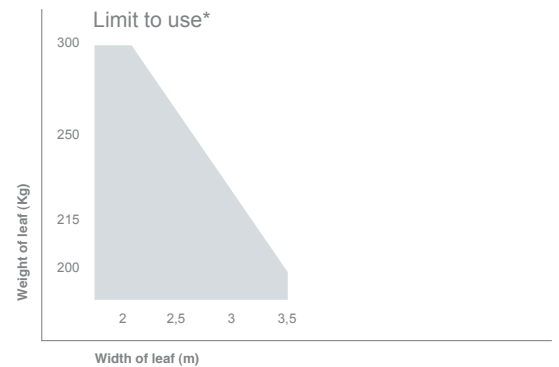
700BAP2
Gate stopper wall/floor mount



650ESV1-2
Electric lock (1 = left hand opening – 2 = right hand opening)



C-TARG
Aluminium CE Mark Label, self adhesive



*They refer to leaves with openings and not totally closed panels.



Further accessories:
Transmitters page 106
Photocells page 112
Flashing lights page 115