

**12**  
VOLT

# GATE OPERATOR **SPEED** 2CTN

For sliding or folding doors  
up to 400 kg

## 350SPEED2CTN

DC chain drive sliding or folding door operator with encoder, complete with electronic control unit. Maximum door weight 400 kg

### Features:

- commercial use
- irreversible electromechanical door operator
- for folding or sliding doors up to 400 kg
- low voltage DC motor
- counterplate included

### Pros:

- intensive use
- fast operating speed
- obstacle detection and crush prevention



**Chain transmission**  
SPEED2CTN can directly be installed on the door thanks to the chain transmission

### Technical features

	<b>SPEED2CTN</b>
Power supply	230 V AC (50 - 60 Hz)
Motor power supply	18 V DC
Absorption	1,5 A
Absorbed power	29 W
Duty cycle	100 %
Max. torque	14 Nm
Operating temperature	-20° C + +55° C
Motor thermal protection	-
Degree of protection	IP 44
Max. speed maneuver	12,8 m/min
Max. gate leaf weight	400 kg



The above represented installation does not include safety devices such as safety edges. Their addition depends upon the risk assessment made on any installation in accordance with EN 12445-12453 standards.

## Accessories



**550TEN**  
Chain stretcher



**550KITCTN**  
Set of chain brackets



**550CAT5**  
1/2" x 5/16" chain (5 m)



**300PPI**  
Heavy duty pushbutton panel



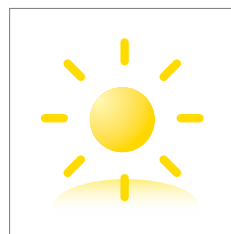
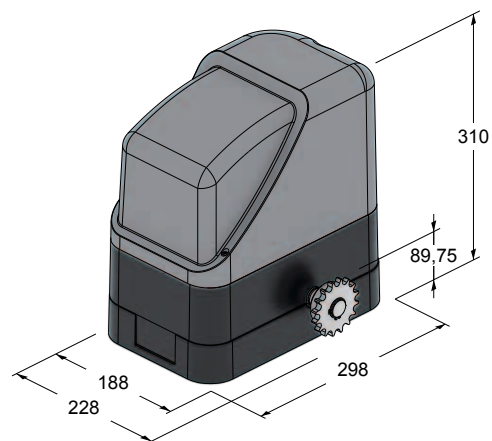
**C-CRT**  
Warning signal



**C-TARG**  
Aluminium CE mark label,  
self adhesive



**250RXDC1**  
Self-learning, single-channel, 433,92 MHz plug-in radio receiver. Accepts up to 62 rolling code transmitters or unlimited dipswitch transmitters



**Solar power**  
Thanks to the Photovoltaic (PV) Technology, every low voltage DC gate operator can be solar powered. Discover the advantages of the solar energy at page 126



**Further accessories:**  
Transmitters page 106  
Photocells page 112  
Flashing lights page 115