

**12**  
VOLT

# GATE OPERATOR R40

For gate leaves up to 3,5 m

## 650R40

DC electromechanical gate operator with encoder. Maximum gate leaf 3,5 m / 400 kg (foundation box to be ordered separately)

### Features:

- residential / apartment building use
- for gates leaves up to 3,5 m
- low voltage DC gate operator
- optical encoder technology
- electromechanical motor
- protection degree IP67

### Pros:

- virtually invisible, does not affect the design of the gate
- opening up to 180° thanks to the optional 700KIT180 kit
- obstacle detection and crush prevention
- in accordance with EN 12445-12453 standards
- works even in case of a power cut thanks to the optional battery pack
- works even during power outage thanks to the optional backup battery
- intensive use, ideal for use on apartment buildings and public entrances
- watertight for reliable operation



### Technical features

	<b>R40</b>
Power supply	230 V AC (50 - 60 Hz)
Motor power supply	18 V DC
Absorption	1,5 A
Absorbed power	28 W
Opening time 90°	18 sec.
Duty cycle	100 %
Max. torque	458 Nm
Operating temperature	-20° C ÷ +55° C
Motor thermal protection	-
Degree of protection	IP 67



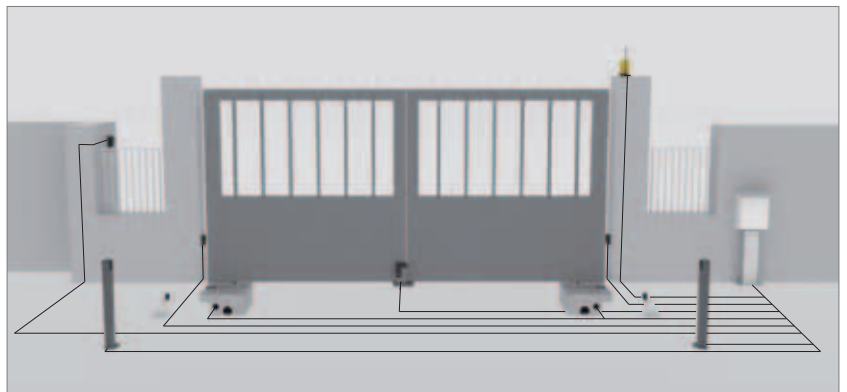
### Watertight

Water proof design ensuring a complete and lasting protection.



### Stainless Steel Box

The stainless steel foundation box ensures the highest resistance from corrosion.



The above represented installation does not include safety devices such as safety edges. Their addition depends upon the risk assessment made on any installation in accordance with EN 12445-12453 standards.

## Accessories



**700CFR40C**  
Hot-dip galvanized foundation box **with release system**



**750D749MA**  
Electronic control unit for one or two DC gate operators with encoder, complete with 433,92 Mhz rolling code radio receiver, battery charger, transformer and enclosure



**700CFR40X**  
Stainless steel foundation box **with release system**



**200BATT**  
12 Volt Battery, 7,2 Ah



**700CFR40CT**  
Cataphoresis steel foundation box **with release system**



**700GS5**  
Weatherproof cable connector for 5-core 12 V cable



**S-700CFR4060**  
Stainless steel cover lid for foundation box



**650ESV1-2**  
Electric lock (1 = left hand opening – 2 = right hand opening)



**700KIT180**  
180° opening kit



**C-TARG**  
Aluminium CE Mark Label, self adhesive

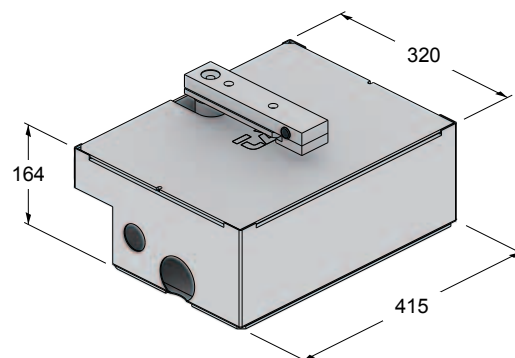


**700KITBFR**  
Adjustable mechanical stop lever

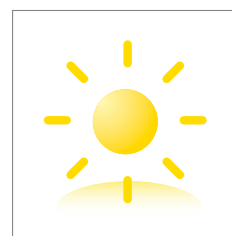


**M-030000CC50**  
Multicore cable (2 x 2.5 sq.mm + 3 x 0.5 sq.mm)

Use only M-030000CC50 cable or equivalent



\*They refer to leaves with openings and not totally closed panels.



**Solar power**  
Thanks to the Photovoltaic (PV) Technology, every low voltage DC gate operator can be solar powered. Discover the advantages of the solar energy at page 126



**Further accessories:**  
Transmitters page 106  
Photocells page 112  
Flashing lights page 115

**230**  
VOLT

# GATE OPERATOR R30

For gate leaves up to 3,5 m



## 650R30

230 V electromechanical gate operator. Maximum gate leaf 3,5 m / 400 kg (foundation box to be ordered separately)

### Features:

- residential use
- for gates leaves up to 3,5 m
- 230 V gate operator
- electromechanical motor
- protection degree IP67

### Pros:

- virtually invisible, does not affect the design of the gate
- opening up to 180° thanks to the optional 700KIT180 kit
- watertight for reliable operation
- manual release
- high torque and power
- suitable for large gates and non standard sized posts

### Technical features

	<b>R30</b>
Power supply	230 V AC (50 - 60 Hz)
Motor power supply	230 V AC
Absorption	1,4 A
Absorbed power	260 W
Opening time 90°	16,5 sec.
Duty cycle	33 %
Max. torque	402 Nm
Operating temperature	-20° C ÷ +55° C
Motor thermal protection	160° C
Degree of protection	IP 67



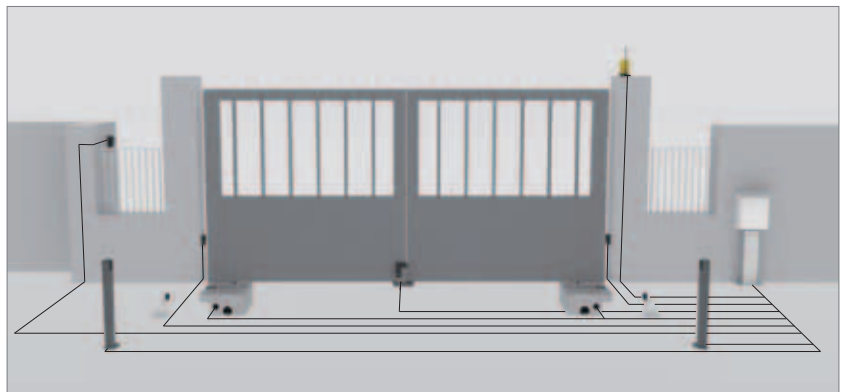
#### Watertight

Water proof design ensuring a complete and lasting protection.



#### Stainless Steel Box

The stainless steel foundation box ensures the highest resistance from corrosion.



The above represented installation does not include safety devices such as safety edges. Their addition depends upon the risk assessment made on any installation in accordance with EN 12445-12453 standards.

## Accessories



**700CFR40C**  
Hot-dip galvanized foundation box with release system



**750CUP**  
Control unit enclosure protective lid



**700CFR40X**  
Stainless steel foundation box with release system



**700GS3**  
Weatherproof cable connector for 3-core 230 V cable



**700CFR40CT**  
Cataphoresis steel foundation box with release system



**650ESV1-2**  
Electric lock (1 = left hand opening – 2 = right hand opening)



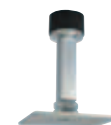
**S-700CFR4060**  
Stainless steel cover lid for foundation box



**700BAP**  
Gate stopper for heavy leaves



**700KIT180**  
180° opening kit



**700BAP2**  
Gate stopper wall/floor mount



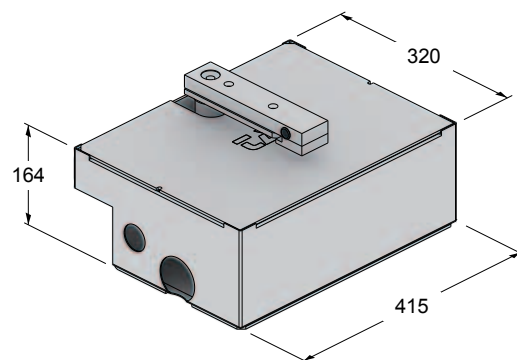
**700KITBFR**  
Adjustable mechanical stop lever



**C-TARG**  
Aluminium CE Mark Label, self adhesive



**750D760M**  
Electronic control unit for one or two 230 V gate operators with soft-stop and built-in 433,92 MHz rolling code radio receiver, complete with enclosure



\*They refer to leaves with openings and not totally closed panels.



**Further accessories:**  
Transmitters page 106  
Photocells page 112  
Flashing lights page 115