

12
VOLT

GATE OPERATOR R18 BENC

For gate leaves up to 1,8 m



650R18BENC

DC electromechanical gate operator with encoder. Maximum gate leaf 1,8 m (foundation box to be ordered separately)

650R18BENCVEL

DC fast electromechanical gate operator with encoder. Maximum gate leaf 1,2 m / 200 kg (foundation box to be ordered separately)

Features:

- residential use
- for gates leaves up to 1,8 m
- low voltage DC gate operator
- optical encoder technology
- electromechanical motor

Pros:

- compact size
- virtually invisible, does not affect the design of the gate
- opening up to 360° with no additional accessories
- obstacle detection and crush prevention
- in accordance with EN 12445-12453 standards
- works even during power outage thanks to the optional backup battery
- fast operating speed
- intensive use, ideal for use on apartment buildings and public entrances

Technical features

| | R18BENC | R18BENCVEL |
|--------------------------|-----------------------|-----------------------|
| Power supply | 230 V AC (50 - 60 Hz) | 230 V AC (50 - 60 Hz) |
| Motor power supply | 18 V DC | 18 V DC |
| Absorption | 0,7 A | 0,8 A |
| Absorbed power | 14 W | 15 W |
| Opening time 90° | 13 sec. | 9 sec. |
| Duty cycle | 100 % | 100 % |
| Max. torque | 192 Nm | 180 Nm |
| Operating temperature | -20° C ÷ +55° C | -20° C ÷ +55° C |
| Motor thermal protection | - | - |
| Degree of protection | IP 67 | IP 67 |



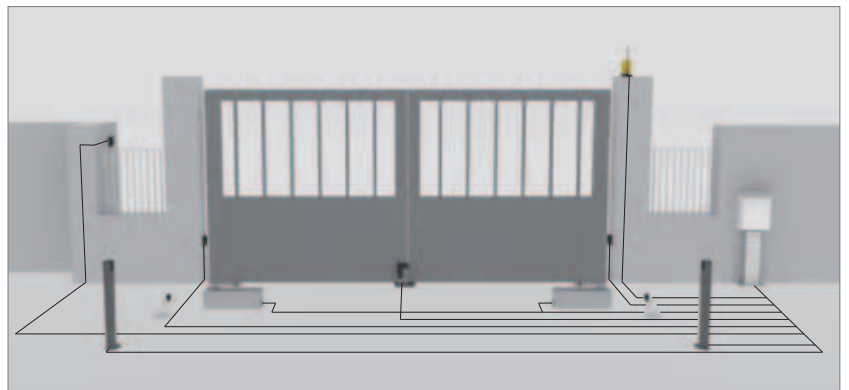
Watertight

The new watertight collar diverts rain water ensuring a complete and lasting protection.



Opening up to 360°

The compact R18 gate operator is ideal where space is an issue



The above represented installation does not include safety devices such as safety edges. Their addition depends upon the risk assessment made on any installation in accordance with EN 12445-12453 standards.



INSIDEKIT04A

Complete underground automation kit for gates up to 1,8 + 1,8 m, with two 650R18BENC gate operators

Accessories included in the kit (foundation boxes to be ordered separately):



900OPTIC



750D749MA



300T-KEY
aluminium +
LED TSL



250ANTD



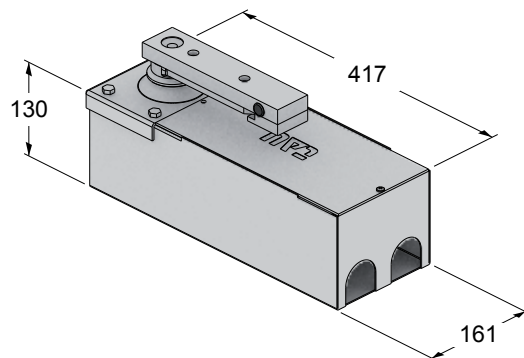
900LAMP4



250K-SLIMRP



C-CRT



Accessories



700CFR18CT
Cataphoresis steel
foundation box **with release
system**



200BATT
12 Volt Battery, 7,2 Ah



700CFR18X
Stainless steel foundation
box **with release system**



700GS5
Weatherproof cable
connector for 5-core 12 V
cable



700BRC18
R18 Retrofit adapter arm



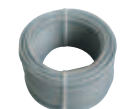
650ESV1-2
Electric lock (1 = left hand
opening – 2 = right hand
opening)



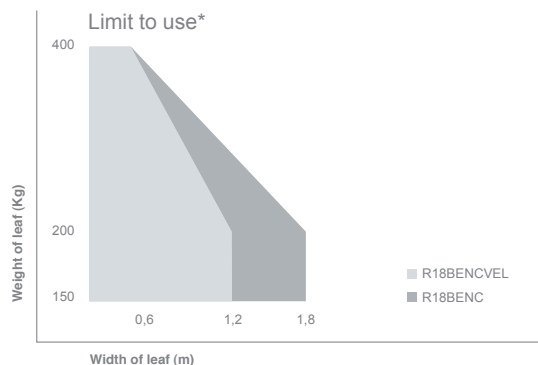
750D749MA
Electronic control unit for one
or two DC gate operators with
encoder, complete with 433,92
Mhz rolling code radio receiver,
battery charger, transformer and
enclosure



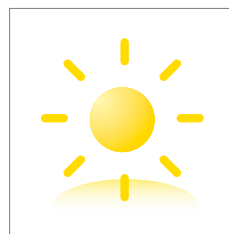
C-TARG
Aluminium CE Mark Label,
self adhesive



M-030000CC50
Multicore cable (2 x 2.5
sq.mm + 3 x 0.5 sq.mm)



*They refer to leaves with openings and not totally closed panels.



Solar power
Thanks to the Photovoltaic (PV) Technology, every low voltage DC gate operator can be solar powered. Discover the advantages of the solar energy at page 126



Further accessories:
Transmitters page 106
Photocells page 112
Flashing lights page 115

⚠ Use only M-030000CC50 cable or equivalent

230
VOLT

GATE OPERATOR R18

For gate leaves up to 1,8 m



650R18

230 V electromechanical gate operator. Maximum gate leaf 1,8 m (foundation box to be ordered separately)

Features:

- residential use
- for gates leaves up to 1,8 m
- 230 V gate operator
- electromechanical motor

Pros:

- compact size
- virtually invisible, does not affect the design of the gate
- opening up to 360° with no additional accessories
- manual release
- high torque and power

Technical features

| | R18 |
|--------------------------|-----------------------|
| Power supply | 230 V AC (50 - 60 Hz) |
| Motor power supply | 230 V AC |
| Absorption | 1,3 A |
| Absorbed power | 240 W |
| Opening time 90° | 22 sec. |
| Duty cycle | 32 % |
| Max. torque | 148 Nm |
| Operating temperature | -20° C ÷ +55° C |
| Motor thermal protection | 160° C |
| Degree of protection | IP 67 |



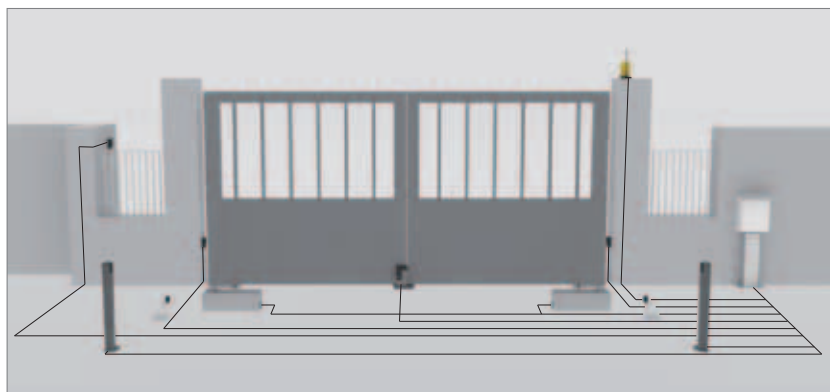
Watertight

The new watertight collar diverts rain water ensuring a complete and lasting protection.



Opening up to 360°

The compact R18 gate operator is ideal where space is an issue



The above represented installation does not include safety devices such as safety edges. Their addition depends upon the risk assessment made on any installation in accordance with EN 12445-12453 standards.



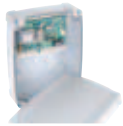
INSIDEKIT05T

Complete underground automation kit for gates up to 1,8 + 1,8 m, with two 650R18 gate operators

Accessories included in the kit (foundation boxes to be ordered separately):



900OPTIC



750D760M



300T-KEY
aluminium +
LED TSL



250ANTD



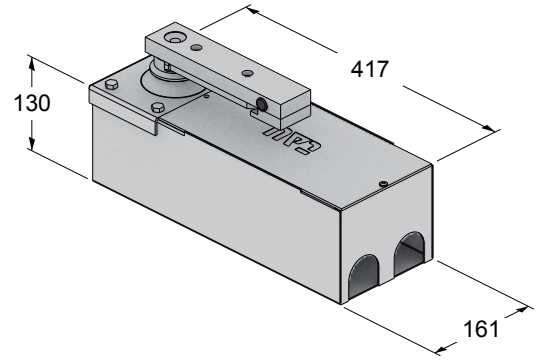
900LAMP3



250K-SLIMRP



C-CRT



Accessories



700CFR18CT
Cataphoresis steel
foundation box **with release
system**



700GS3
Weatherproof cable
connector for 3-core 230 V
cable



700CFR18X
Stainless steel foundation
box **with release system**



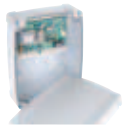
650ESV1-2
Electric lock (1 = left hand
opening – 2 = right hand
opening)



700BRC18
R18 Retrofit adapter arm



700BAP
Gate stopper for heavy
leaves



750D760M
Electronic control unit for one or
two 230 V gate operators with
soft-stop and built-in 433,92
MHz rolling code radio receiver,
complete with enclosure



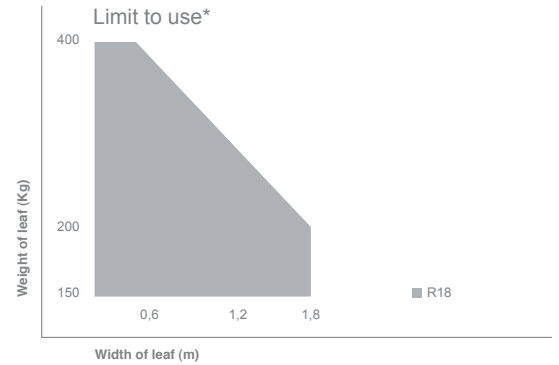
700BAP1
Gate stopper for light leaves



750CUP
Control unit enclosure
protective lid



700BAP2
Gate stopper wall/floor
mount



*They refer to leaves with openings and not totally closed panels.



Further accessories:
Transmitters page 106
Photocells page 112
Flashing lights page 115